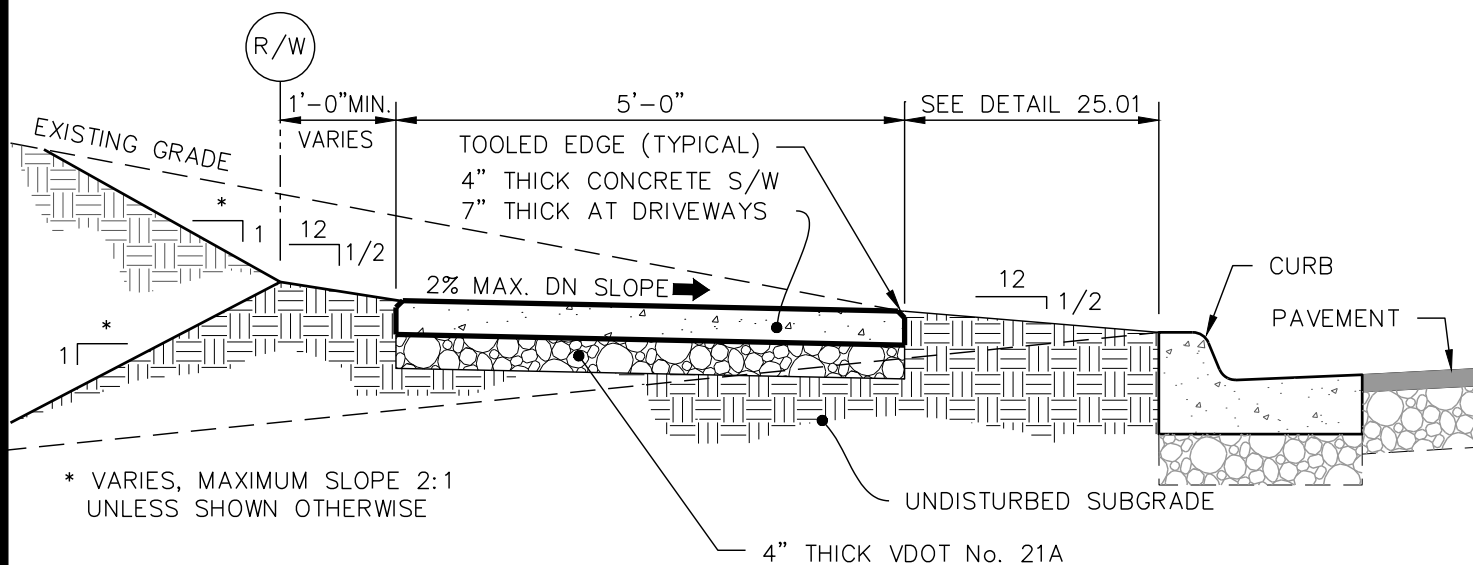


TYPICAL SIDEWALK without PARKWAY



TYPICAL SIDEWALK with PARKWAY

NOTES:

1. PROVIDE 3/4" DEEP TOOLED SCORE AT 5'-0" O.C.
2. EXPANSION JOINTS TO BE PLACED 30'-0" O.C. LONGITUDINALLY, ADJACENT TO CURBS, AND WHEN BUTTING EXISTING STRUCTURES, CONCRETE, OR BUILDINGS.



THE CITY OF LYNCHBURG

STANDARD
SIDEWALK DETAIL

USE WITH THE CITY OF LYNCHBURG STANDARD SPECIFICATIONS ONLY

SCALE:
NOT TO SCALE

DETAIL #
25.05

REVISION DATE:
4-2023

SHEET #:
1 OF 1