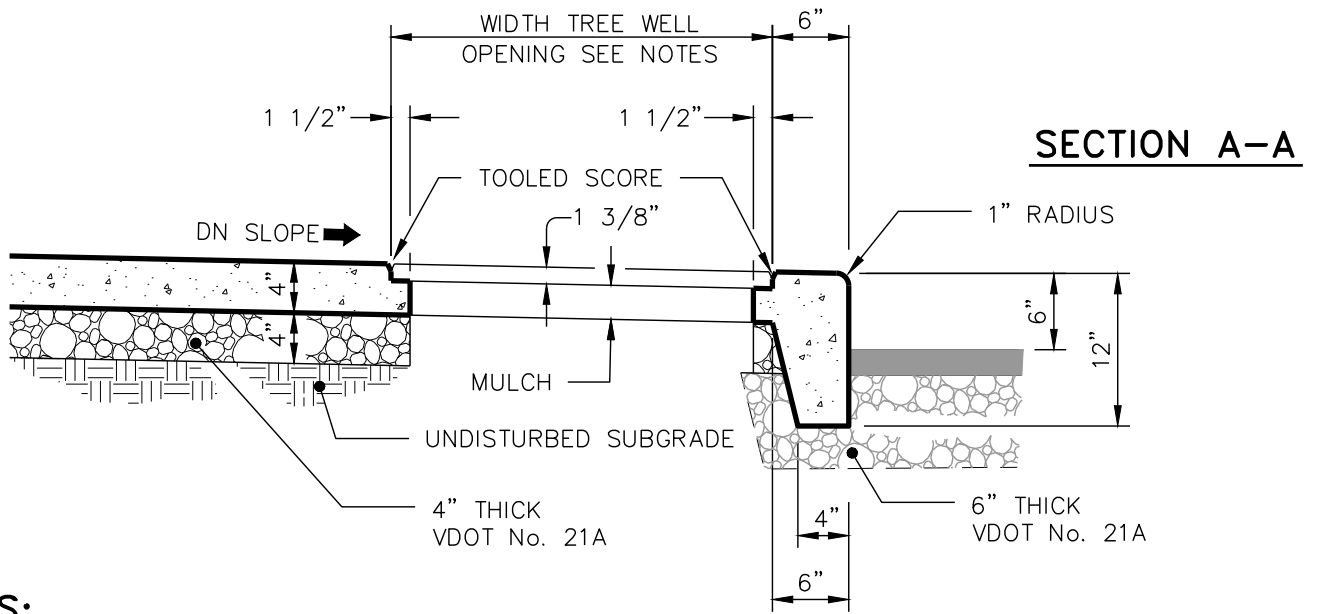
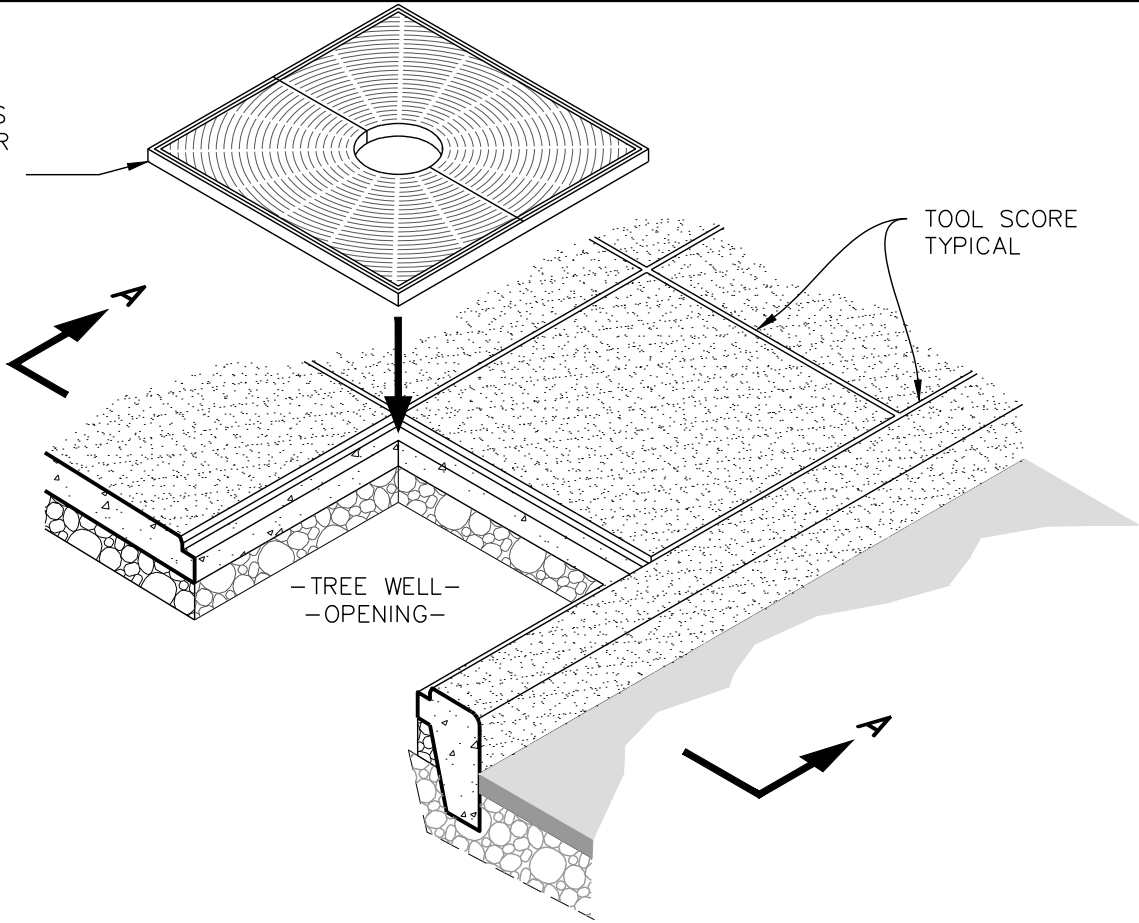


SEE NOTES
BELOW FOR
PART #'s



NOTES:

1. FOR 4' SIDEWALKS USE NEENAH R-8710 180° SQUARE WITH 3/8" SLOT OPENINGS. FOR 5' SIDEWALKS USE NEENAH R-8712 180° SQUARE WITH 3/8" SLOT OPENINGS.
2. FOR NEW CONSTRUCTION: SIDEWALK AND CURB TO BE POURED MONOLITHICALLY. FOR EXISTING SIDEWALK: SAW CUT SIDEWALK FOR TREE WELL OPENING.
3. CONCRETE TO BE CLASS 3,000 P.S.I.



THE CITY OF LYNCHBURG

TREE WELL OPENING IN
SIDEWALK

SCALE:
NOT TO SCALE

DETAIL #
25.07

REVISION DATE:
4-2023

SHEET #:
1 OF 1

USE WITH THE CITY OF LYNCHBURG STANDARD SPECIFICATIONS ONLY